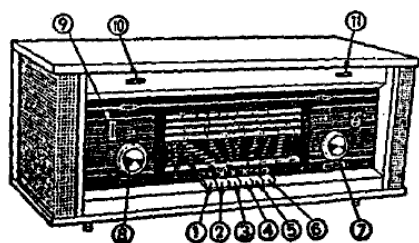


PHILIPS

Service



RADIO 15RB697

Year of release 1969



For AC Mains Supply

Waveranges

SW1 : 11.3 - 17.8 m (16.8 - 26.4 Mc/s)
 SW2 : 18.8 - 26.5 m (11.3 - 16.0 Mc/s)
 SW3 : 29.5 - 44.0 m (6.8 - 10.15 Mc/s)
 SW4 : 46.5 - 100.0 m (3.0 - 6.45 Mc/s)
 MW : 185 - 585 m (517 - 1620 Kc/s)

Controls and Indicators

Press button switch : Press buttons

(1) Off (2) MW (3) SW4
 (4) SW3 (5) SW2 (6) SW1

(Press buttons 2 and 3 are to be pressed to play Pick Up or Tape Recorder)

(7) Tuning (8) Volume control
 (9) Tuning Indicator (10) Low note control
 (11) High note control

Valves and Lamps

B1 : ECH 81 B6 : EM 84
 B2 : EF 89 B7 : EZ 80
 B3, B4 : EBC 81 L1, L2 : 3115 108 70080
 B5 : EL 84 (6.3V 0.25A)

Loudspeakers

2 x 2415 255 87005 (Z = 5 ohms)

Consumption

Approximately 55 Watts

Dimensions

600 x 240 x 252 mm

Built-in-Aerial

A built-in-plate aerial is provided for short wave bands and ferroceptor for medium wave band.

TRIMMING THE RECEIVER :—

Refer circuit diagram for trimming data.

General

Adjust the pointer to left mark 1 with tuning condenser in minimum capacity position. Disconnect speakers and connect a dummy load (5 ohms) across the external loudspeaker socket. Connect an output meter across the dummy load.

Set the volume control to maximum and tone controls to Bass max and Treble max. Trim IF and RF circuits with lowest possible input signal as follows :

IF Circuit

Switch on the receiver by pressing MW button. Screw out cores of IF coils S17, S18 & S19 as far as possible. Apply modulated signal of 452 Kc/s to the grid g1 of valve B1 (ECH81) through a capacitor 33,000 pF and successively trim S20, S19, S17, S18 and S19 for maximum output.

RF Circuit

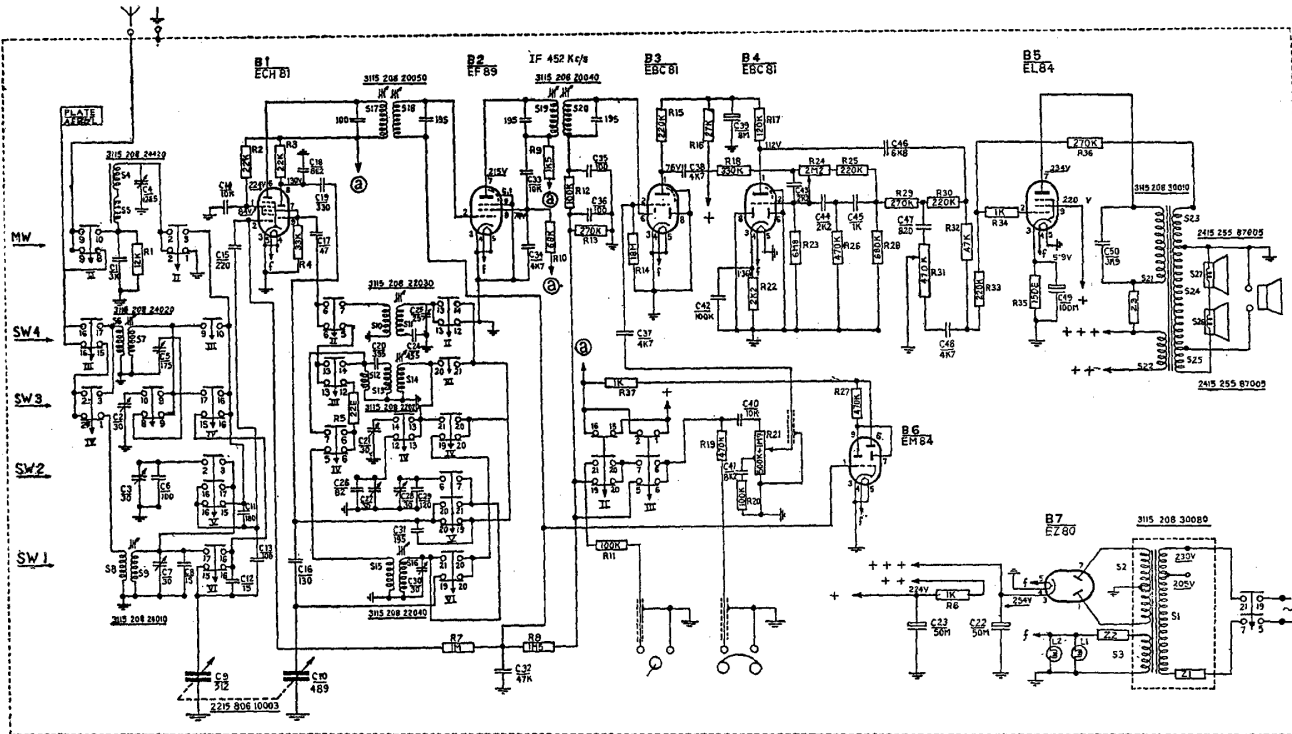
Apply modulated signal to aerial socket via dummy aerial and trim waveranges MW-SW4-SW1-SW3-SW2 as shown in the trimming data.

MECHANICAL PARTS

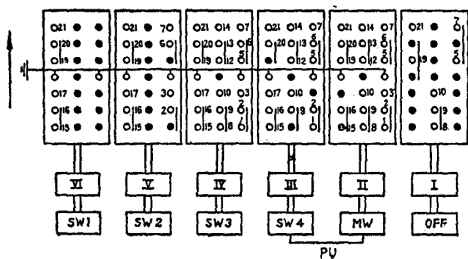
Description	Code Number
Cabinet	3115 109 00311
Leg	3115 104 00201
Back plate	3115 103 00021
Bottom Plate	3115 103 00031
Side grill x 2	3115 108 70421
Dial	3115 105 00151
Pointer	3115 108 70101
Dial Shade	3115 108 00601
Knob (Bass + treble) x 2	3115 104 00341
Knob (Tuning + Volume) x 2	3115 108 01421
Ornamental profile (top)	3115 105 10281
Press button Switch Assy	3115 108 40061
Press Key x 6	3115 104 00331
Fuse Holder (6.3A)	3115 100 10071
Fuse Holder (63 mA)	3115 100 10031
Lamp Holder	3115 100 10051
Mains cord	3115 108 50151
Spring (Drive Cord)	3122 996 46821
Socket plate assy	3115 108 50221
Drum for gang condenser	3115 108 00161
Fixing spring (Vol. & tuning knobs)	3122 995 22081
Screw (tone control knobs)	2522 040 31061
Back plate fixing screw	2522 123 0 009
Bracket for fixing back plate	3115 101 21121
Drive Pulley x 2	3122 794 39641

ELECTRICAL PARTS

Part No.	Code No.	Part No.	Code No.
S1, S2, S3	3115 208 30081	C3 (30 pf)	2215 803 20001
S4, S5	3115 208 24421	C4 (12E5 pf)	2215 551 00011
S6, S7	3115 208 24021	C5 (175 pf)	2215 551 00016
S8, S9	3115 208 24011	C6 (100 pf)	2215 555 55101
S10, S11	3115 208 22031	C7 (30 pf)	2215 803 20001
S12, S13, S14	3115 208 22021	C8 (15 pf)	2215 555 55159
S15, S16	3115 208 22041	C9+C10 (512+489)	2215 806 10003
S17, S18	3115 208 20051	C11 (180 pf)	2215 555 55181
S19, S20	3115 208 20041	C12 (15 pf)	2215 555 55159
S21, S22, S23, S24, S25	3115 208 30011	C13 (100 pf)	2215 555 55101
S26	2415 255 87005	C14 (10K pf)	2215 555 55103
S27	2415 255 87005	C15 (220 pf)	2215 555 55221
R1 (12K)	2315 202 42123	C16 (130 pf)	2015 300 96002
R2 (2K)	2115 104 04223	C17 (47 pf)	2215 555 55479
R3 (22K)	2215 104 04223	C18 (8E2 pf)	2215 555 55878
R4 (33K)	2315 232 42333	C19 (330 pf)	2215 555 55331
R5 (22E)	2315 202 42229	C20 (395 pf)	2215 555 96007
R6 (1K)	2115 104 06102	C21 (30 pf)	2215 803 20001
R7 (1M)	2315 202 42105	C22, C23 (50 uF)	2015 199 00001
R8 (1M5)	2315 202 42155	C24 (455 pf)	2015 300 96003
R9 (1K5)	2315 202 62152	C25 (25 pf)	2215 551 00013
R10 (68K)	2115 104 04683	C26 (82 pf)	2215 555 55829
R11 (100K)	2315 202 42104	C27 (30 pf)	2215 803 20001
R12 (100K)	2315 202 42104	C28 (30 pf)	2215 803 20001
R13 (270K)	2315 202 62274	C29 (124 pf)	2215 555 55121
R14 (18M)	2315 202 62186	C30 (30 pf)	2215 803 20008
R15 (220K)	2315 202 62224	C31 (195 pf)	2015 300 96001
R16 (27K)	2315 202 62273	C32 (47K)	2215 311 31473
R17 (120K)	2315 202 62124	C33 (10K)	2215 555 55103
R18 (130K)	2315 202 62334	C34 (4K7 pf)	2215 563 02472
R19 (470K)	2315 202 42474	C35 (100 pf)	2215 555 55101
R20 (100K)	2315 202 42104	C36 (100 pf)	2215 555 55101
R21 (500K+1M7)	2315 350 13684	C37 (4K7)	2215 563 02472
R22 (2K2)	2315 202 62222	C38 (4K7)	2215 563 02472
R23 (6M8)	2315 202 62685	C39 (8MF)	2015 081 00001
R24 (2M2)	2315 350 90006	C40 (10K pf)	2215 555 55013
R25 (270K)	2315 202 42224	C41 (8K2 pf)	2215 563 02822
R26 (470K)	2315 202 42474	C42 (100K pf)	2215 311 30104
R27 (470K)	2315 202 62474	C43 (2K2 pf)	2215 563 02222
R28 (680K)	2315 202 42684	C44 (2K2 pf)	2215 563 02222
R29 (270K)	2315 202 42274	C45 (1K pf)	2205 555 55102
R30 (220K)	2315 202 42224	C46 (6K8)	2215 563 02682
R31 (470K)	2315 350 90007	C47 (820 pf)	2215 555 55821
R32 (47K)	2315 202 42473	C48 (4K7 pf)	2215 563 02472
R33 (220K)	2315 202 42224	C49 (100MF)	2215 001 05101
R34 (1K)	2315 202 62102	C50 (3K9 pf)	2215 555 55392
R35 (150E)	2115 104 04151		
R36 (270K)	2315 202 42274		
R37 (1K)	2315 202 42102		
C1 (3K pf)	2015 300 96005	Z1 (temp, fuse)	3122 994 25531
C2 (30 pf)	2215 803 20001	Z2 (63 mA)	2422 086 00004
		Z3 (6.3 A)	2422 086 00053



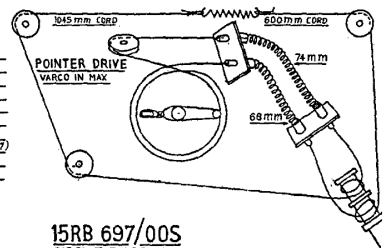
BAND SWITCH



TRIMMING DATA

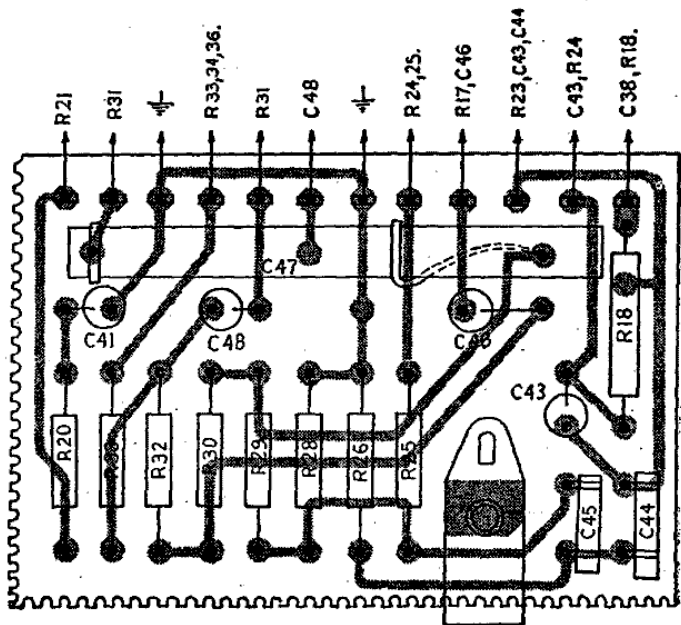
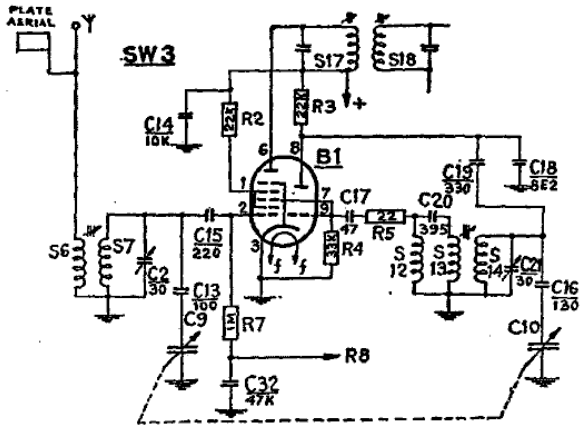
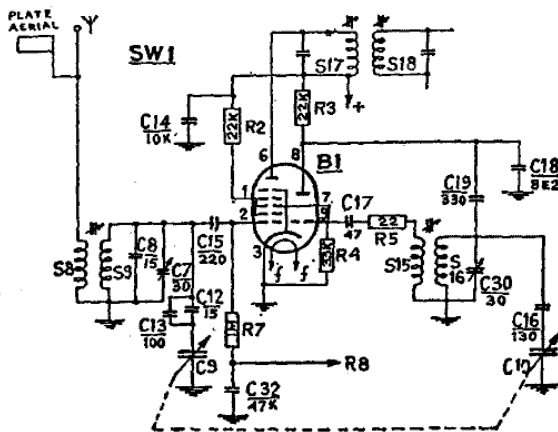
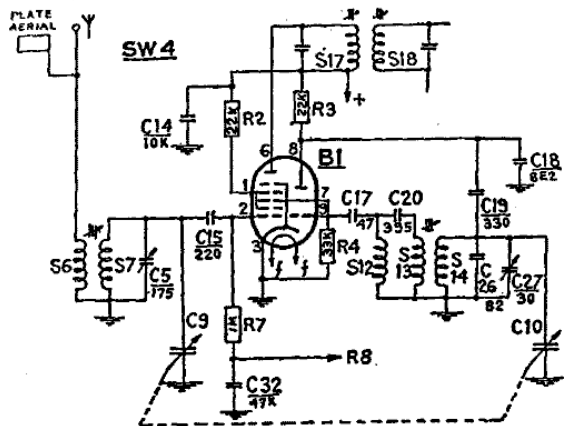
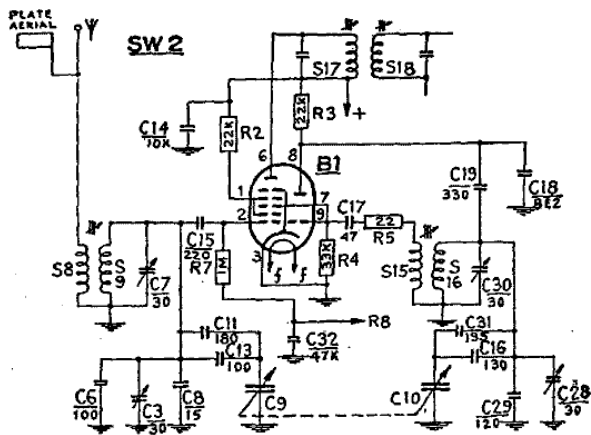
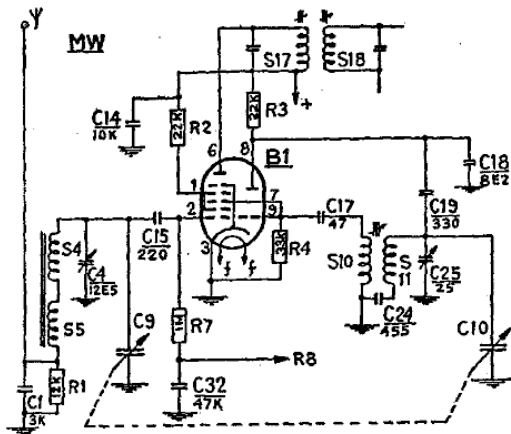
SW 1	25.3 Mc (C30, C7)	17.2 Mc (S 6/15/16, 58/15)
SW 2	15.8 Mc (C28, C3)	
SW 3	9.55 Mc (C21, C2)	
SW 4	6.25 Mc (C27, C5)	3.2 Mc (S12/13/14, 56/7)
MW	1500 Kc (C25, C4)	56 Kc (S10/11, 35)

NOTE
VOLTAGES MEASURED IN MW POSITION.

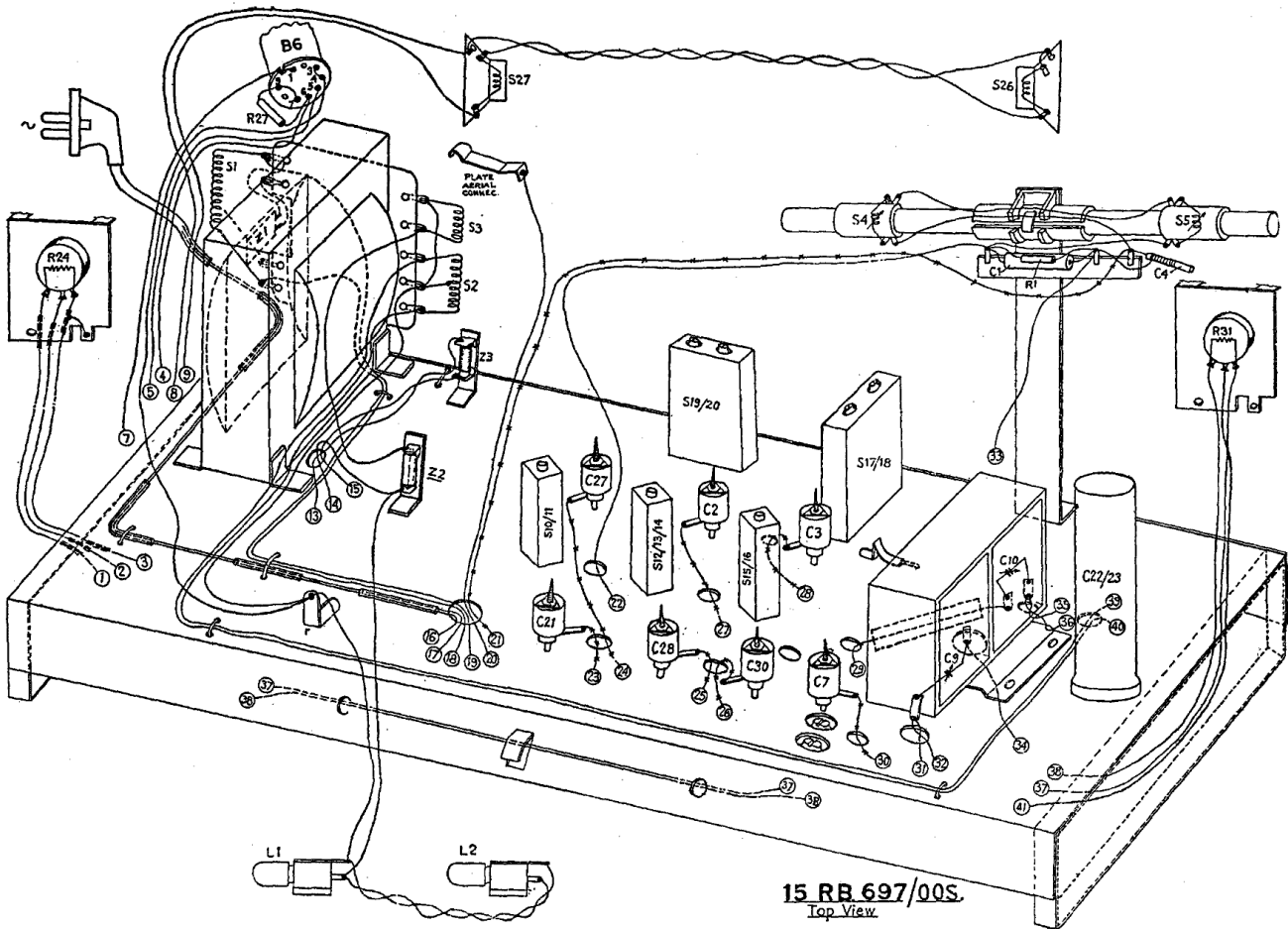


15RB 697/00S
CIRCUIT DIAGRAM

R.F. CIRCUITS



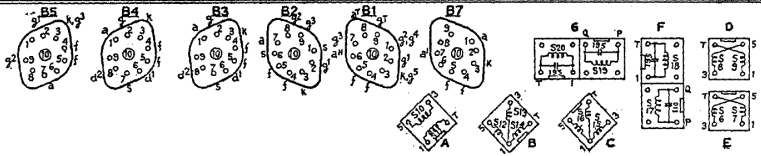
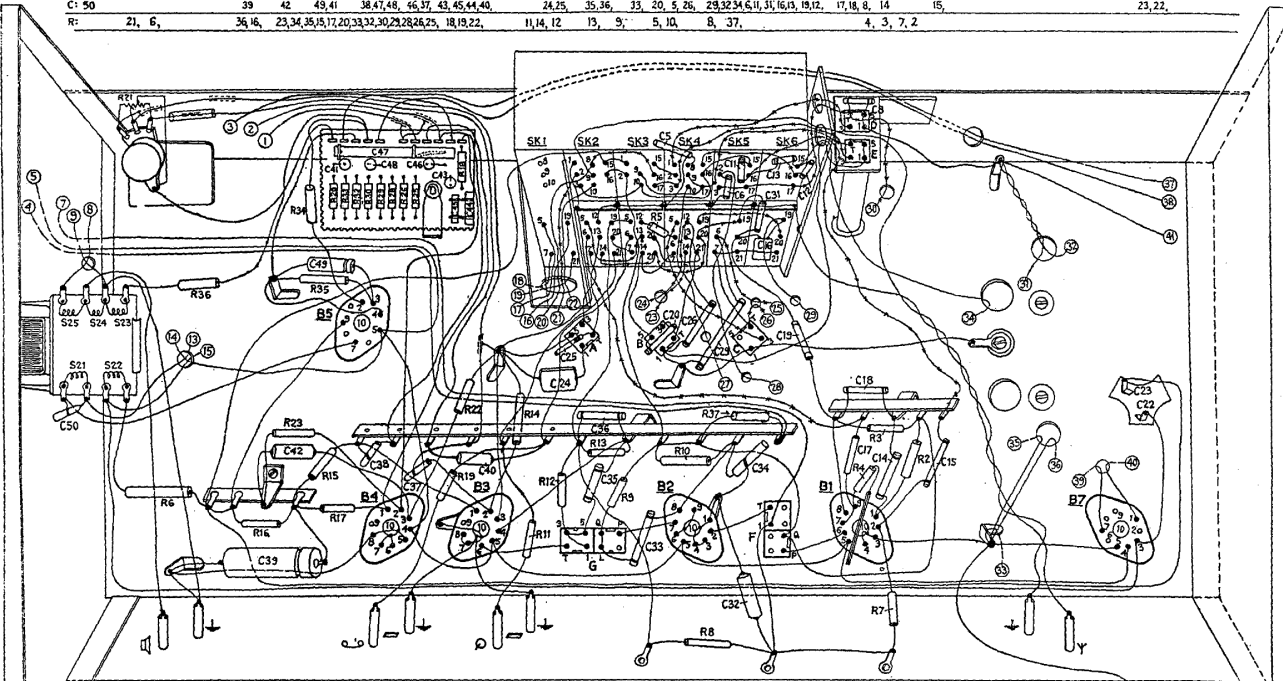
PRINTED WIRING FOR TONE CONTROL



S: 21,22,23,24,25

G A B C F D E

C: 50	39	42	43,41	38,47,48	46,37	43,45,44,40	24,25	35,36	33	20	5,26	29,32,34,6,11,31,16,13,19,12	17,18,8,14	15	23,22
R:	21, 6,	36, 16,	23, 34, 35, 15, 17, 20, 33, 32, 30, 29, 28, 26, 25,	18, 19, 22,	11, 14, 12	13,	9,	5, 10,	8,	37,					4, 3, 7, 2



15 RB 697/00S.
Bottom View